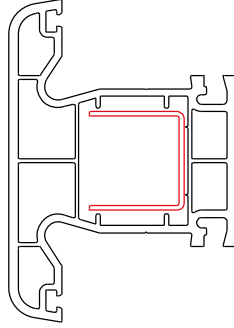
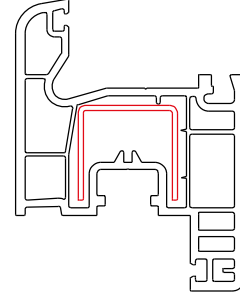


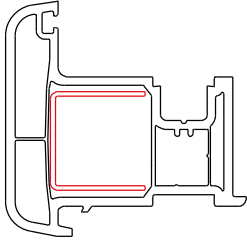
Code: 03.005



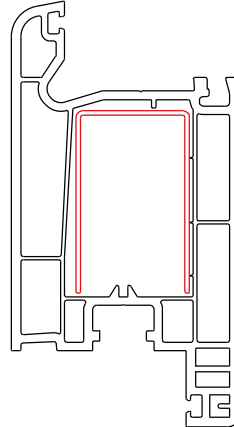
Code: 03.015



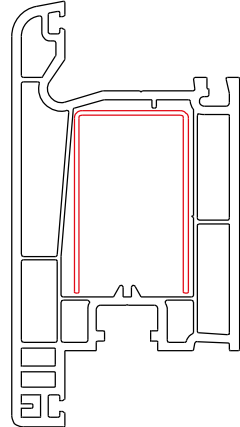
Code: 03.010



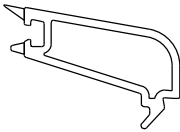
Code: 03.045



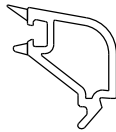
Code: 03.035



Code: 03.040



Code: 03.050



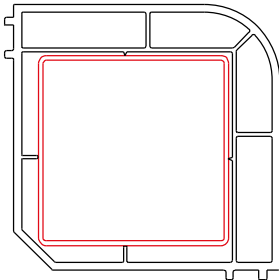
Code: 03.055



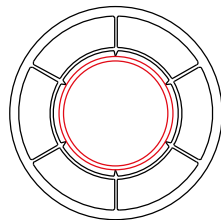
Code: 03.060



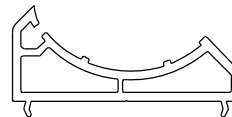
Code: 03.065



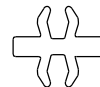
Code: 03.080



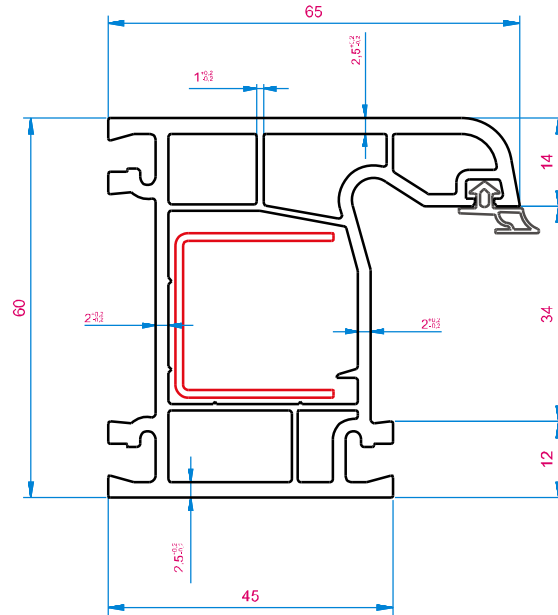
Code: 03.070



Code: 03.075

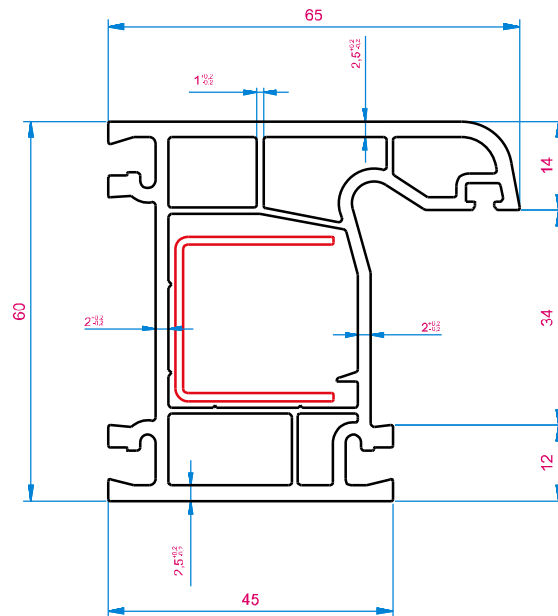


Code: 03.085



Code: **03.005**

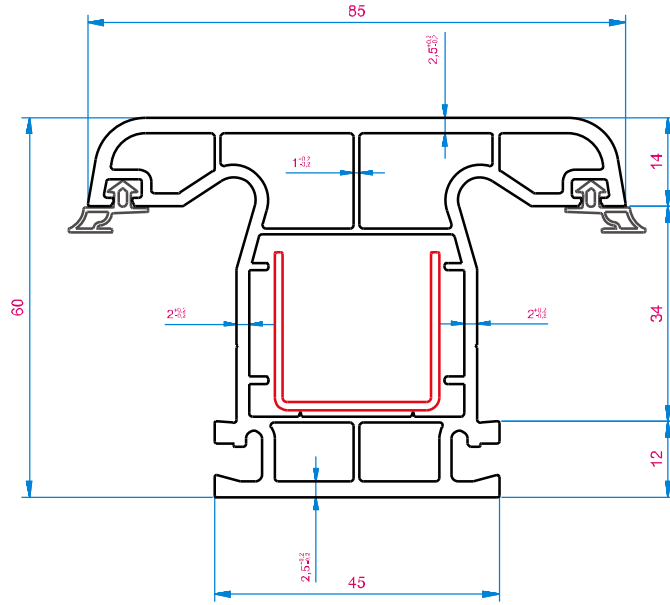
weight: 1.080 gr/m



Code: **03.005**

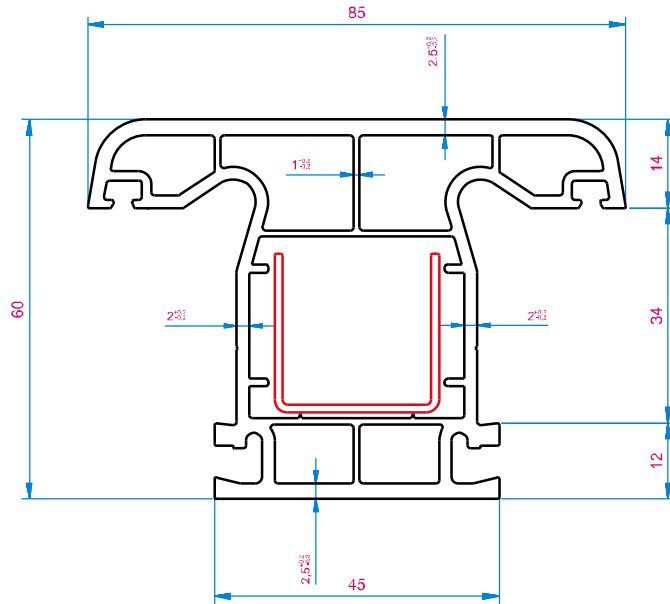
weight: 1.050 gr/m

Ortakayıt Profili / Mullion Profile / Profil Teu / Профиля импоста



Code: **03.015**

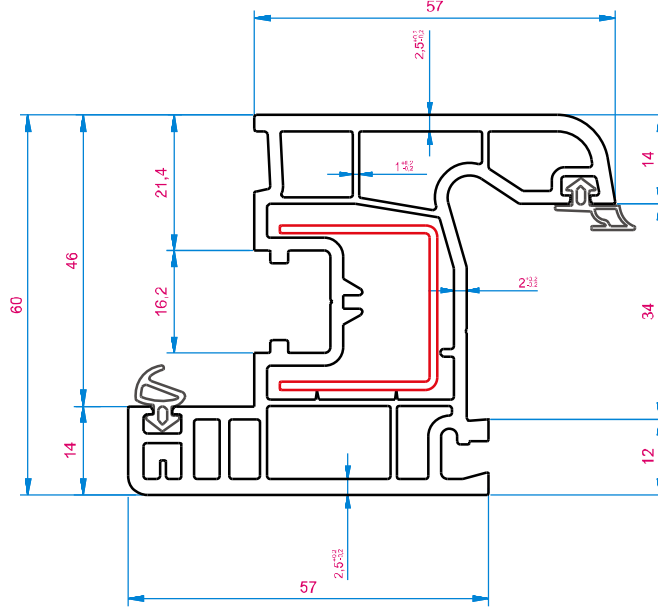
weight: 1.260 gr/m



Code: **03.015**

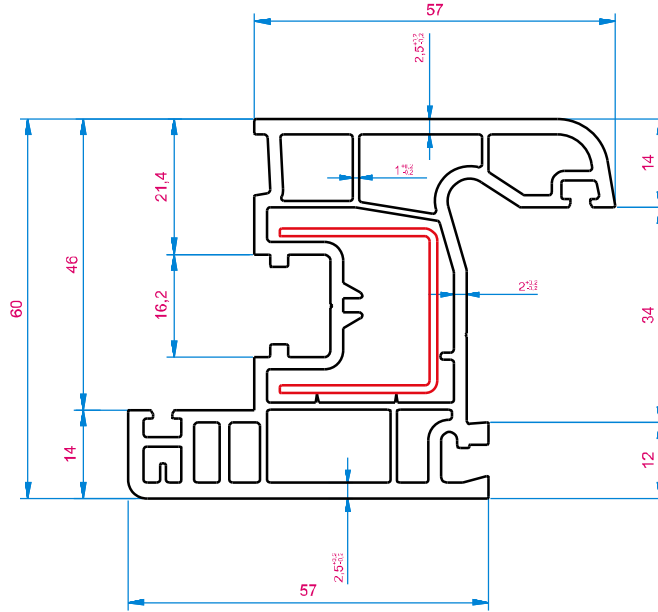
weight: 1.200 gr/m

Kanat Profili / Sash Profile / Profil Aripa / Профиль створки



Code: **03.010**

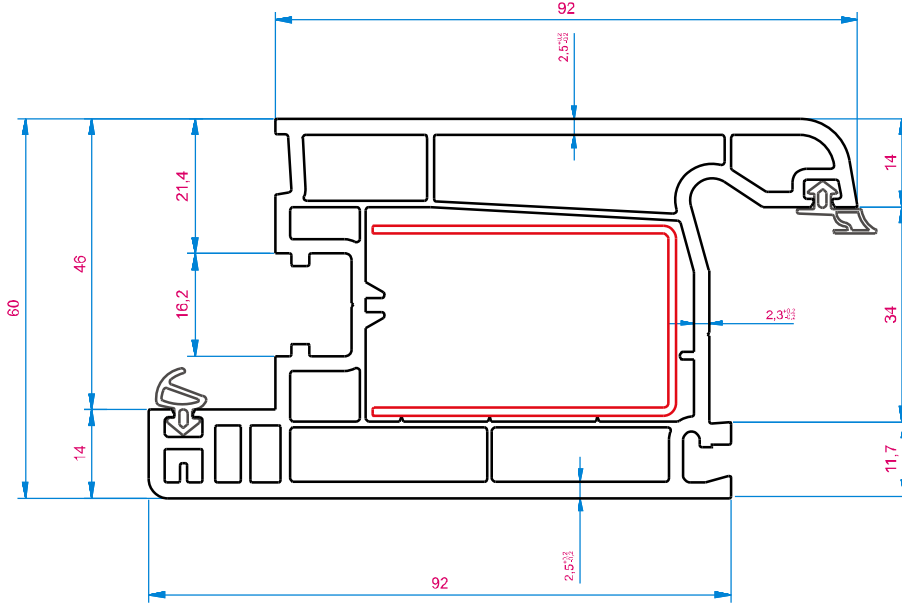
weight: 1.280 gr/m



Code: **03.010**

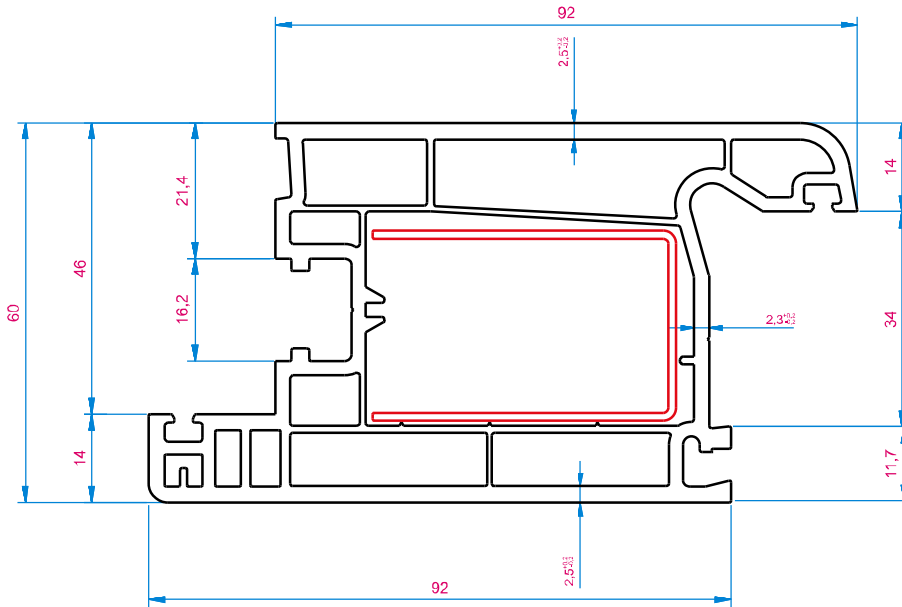
weight: 1.220 gr/m

Kapı Kanat Profili / Door Sash Profile / Profil Usa Interior / Профиль дверной створки (Z)



Code: **03.035**

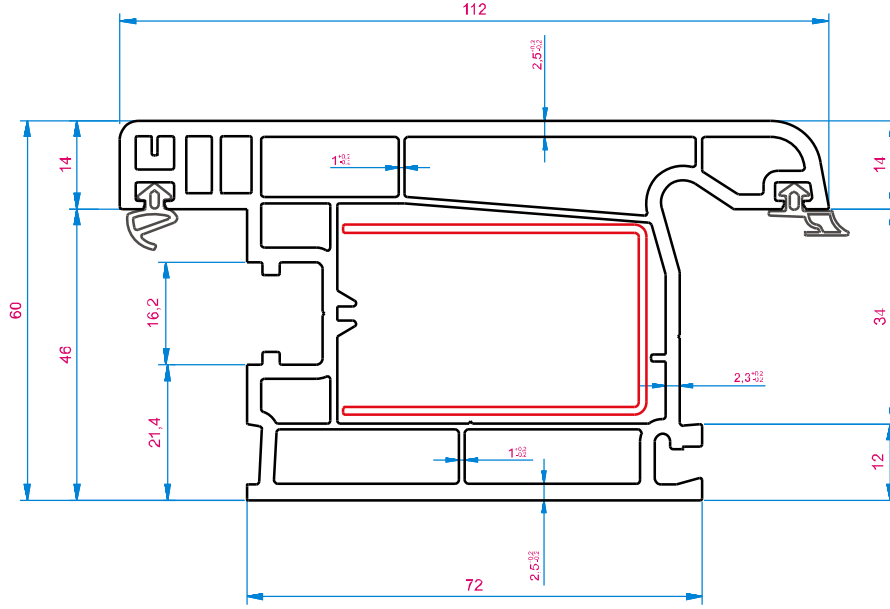
weight: 1.710 gr/m



Code: **03.035**

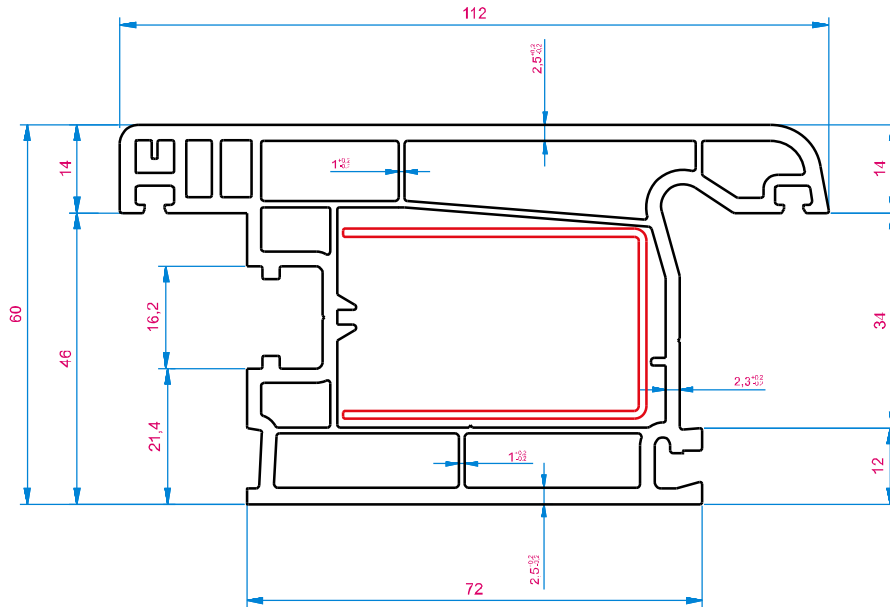
weight: 1.680 gr/m

Dışa Açılır Kapı Kanat Profili / Outside Opening Door Sash Profile
Profil Usa Exterior / Профиль дверной створки (Т)



Code: **03.040**

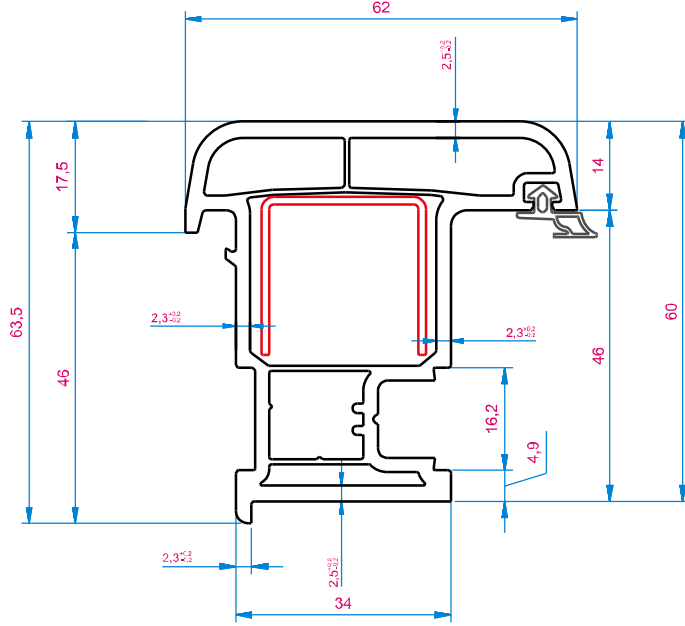
weight: 1.710 gr/m



Code: **03.040**

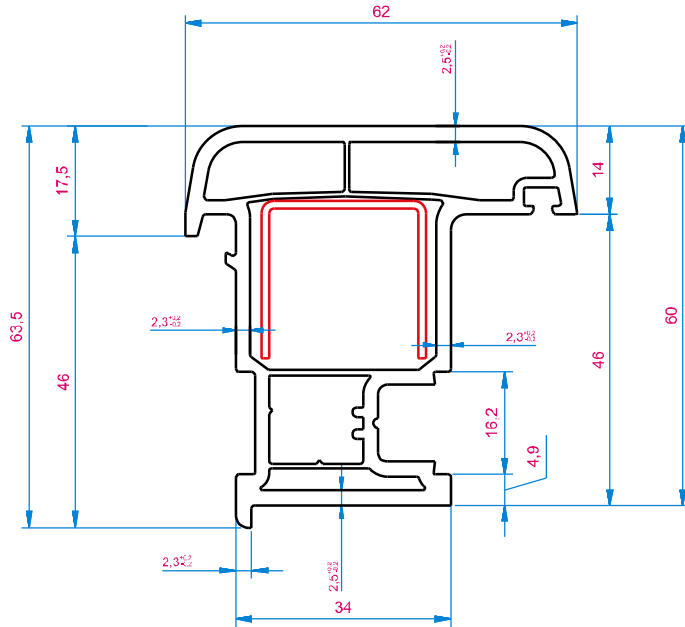
weight: 1.680 gr/m

Kanat Adaptör Profili / Sash Adaptor Profile
 Profil Adaptor Arıpa / Профиль адаптера створки



Code: **03.045**

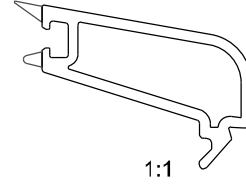
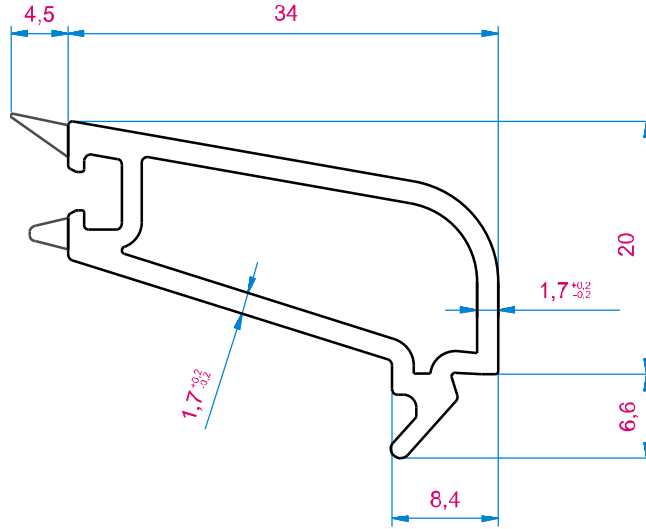
weight: 1.040 gr/m



Code: **03.045**

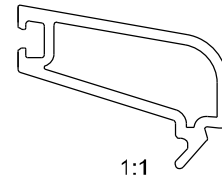
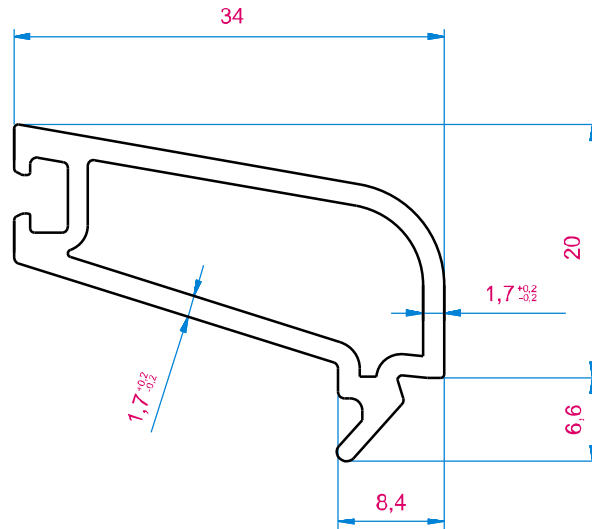
weight: 1.010 gr/m

Contalı Tek Cam Çıtası / Single Glazing Bead / Bagheta Simpla Cu Garnitura (Gr1)
Штапик с уплотнителем (серого цвета) под одинарное стекло



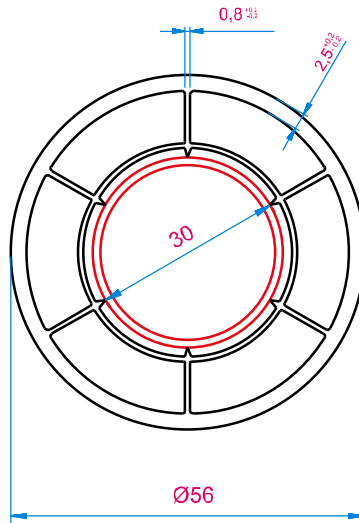
Code: **03.050**

weight: 264 gr/m



Code: **03.050**

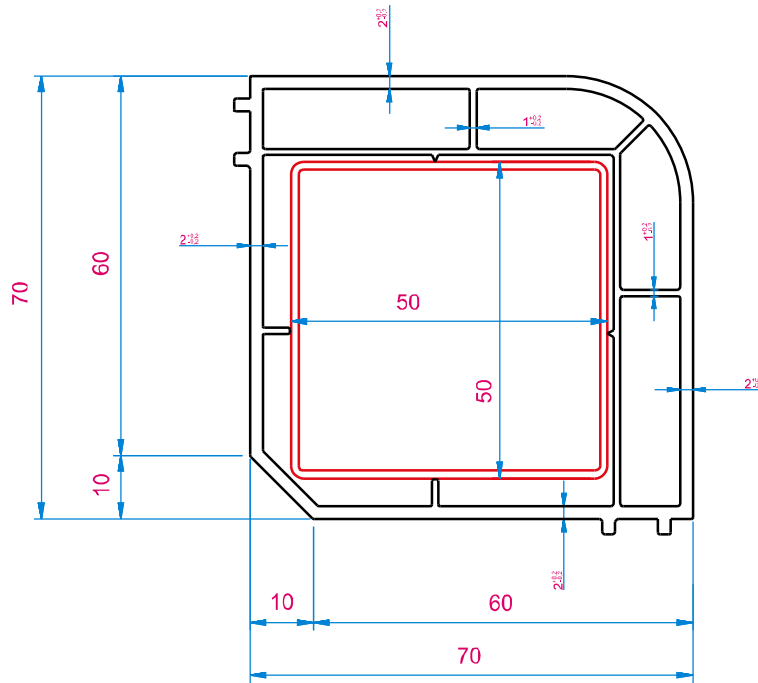
weight: 250 gr/m



Code: **03.070**

weight: 795 gr/m

90° Köşe Profili / 90° Corner Adaptor / Coltar Rotund de 90°
Профиль углового соединения 90 градусов



Code: **03.080**

weight: 990 gr/m